



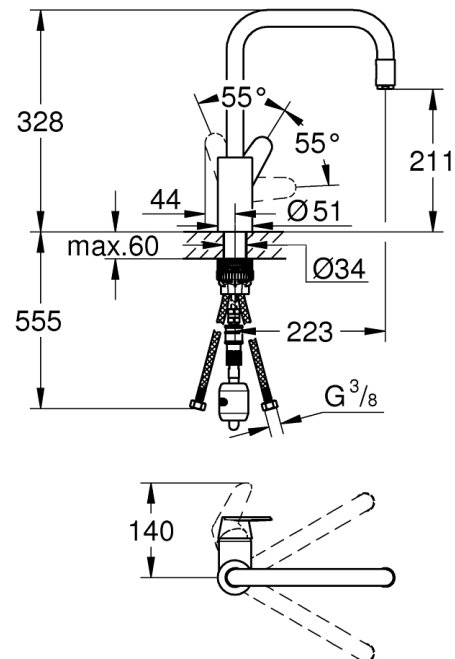
PROJECT		REF		REV	ITEM CODE	
LOCATION		DATE			PAGE	

SANITARY WARE SPECIFICATION SHEET

Item Descriptions	GROHE (Germany) "Eurodisc Cosmopolitan" Chrome plated 3/8" single lever sink mixer with pull-out mousseur spout	<p>Illustration/ Drawing</p>
Dimensions	L223 x W140 x H328 mm	
Model	31122004	
Finish / Material	Chrome Plated	
Country of origin	Germany	
Manufacturer	GROHE Limited	
Supplier	Acme Sanitary Ware Co. Ltd Mr. Eric Wong/ Mr. Don Yuen	
Contact Tel/Fax E-mail Website	(852) 2388-7171 / (852) 2710-8012 acme@acmesanitary.com.hk www.acmesanitary.com.hk	

"Eurodisc Cosmopolitan" 3/8" single lever mixer

- high spout
- monobloc installation
- **GROHE StarLight** finish
- **GROHE SilkMove** 35 mm ceramic cartridge
- **GROHE EasyDock** guarantees easy retraction and smooth docking back to the starting position
- **GROHE Zero** isolated inner water ways - lead and nickel free within the tap
- **pull out mousseur spout**
- adjustable flow rate limiter
- swivel tubular spout
- swivel area 360°
- protected against backflow
- flexible connection hoses
- **GROHE FastFixation** rapid installation system
- min. recommended pressure 1.0 bar



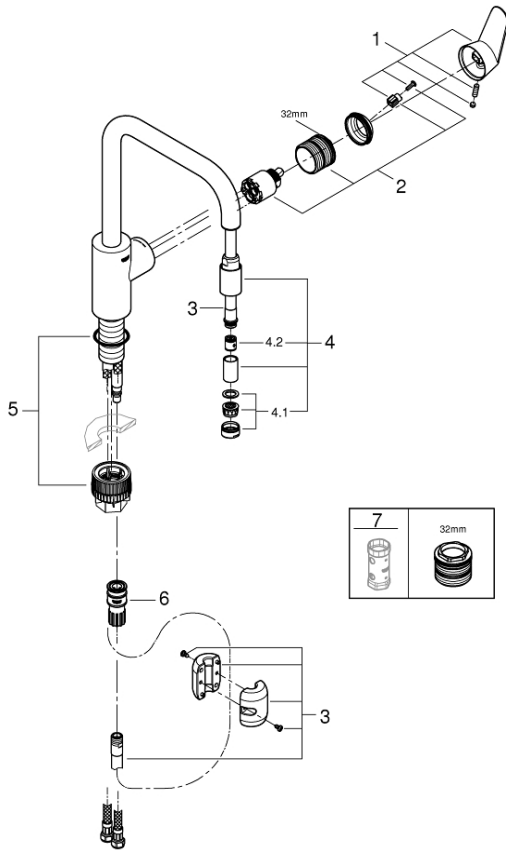
Note:

* All information of the above is for the reference only. No prior notice is made if any changes.



PROJECT		REF		REV	ITEM CODE	
LOCATION		DATE			PAGE	

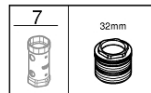
SANITARY WARE SPECIFICATION SHEET



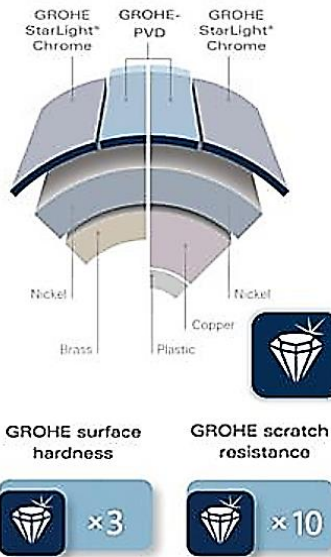
GROHE EURODISC COSMOPOLITAN

VERSATILE & MEANINGFUL

Confidence across the board. Eurodisc Cosmopolitan fittings stand out as a result of their superior styling and their extensive product range, all boasting the "Made in Germany" seal of quality. This collection allows you infinite creativity in your quest for a personalised bathroom. The sweeping lines of the washbasin faucet allow comfortable, splash-free hand-washing. Refreshingly elegant details and technical sophistication are also available for the shower and bath areas. Single-lever faucets, a complete shower system and a convenient shower caddy are just a few examples. Eurodisc Cosmopolitan turns your bathroom into a comfortable living zone.



GROHE StarLight®



Pos.-nr.	Prod. description	Order-nr.
1	Lever	46741000
2	Cartridge	46374000
3	Shower hose	48293000
4	Extractable outlet	46757000
4.1	Flow restrictor	13929000
4.2	Non-return valve	08565000
5	Mounting set	48477000
6	Quick coupling	46315000
6.1	O-ring $\varnothing 10 \times 2,2$	0057500M
7	Socket Spanner	19332000*

* Optional accessories



GROHE SILKMOVE
Smoothest handling for effortless precision and ultimate comfort for a lifetime.



GROHE STARLIGHT
Made-to-last surfaces ranging from precious matt to shiny like a diamond.



PULL-OUT MOUSSEUR SPRAY
Increases operating radius of the faucet and offers different sprays.



PROFESSIONAL-SPRAY
Features a 360° spring arm and easy switching between the spray and mousseur.

Note:

* All information of the above is for the reference only. No prior notice is made if any changes.



Department

香港九龍旺角登打士街7號入境事務大樓48樓
48/F, immigration Tower, 7 Gloucester Road, Wan Chai, Hong Kong

本署檔號 : (2) in WSD 3321/2021 T/J(629/2021)
Our ref.
來函檔號 :
Your ref.

電話 :
Tel.
傳真 : 2824 0578
Fax.


31 May 2021



Approval of “GROHE” Sink Mixer (General Acceptance No. C20210559)

Your letter ref. WRC/2138 dated 26 April 2021 refers.

Having considered the test reports ref. J24606Ar3, J21700r1 and J25724 issued on 8 March 2021, 5 March 2021 and 12 October 2020 by Nutek Systems (HK) Ltd., this Authority accepts that the fitting described below complies with, and its use when correctly installed does not contravene, the Waterworks Ordinance and Regulations.

Name of Manufacturer: Grohe AG
Country of Origin: Portugal
Brand: Grohe
Details of Fitting: 3/8" Single lever sink mixer with 2 nos. of flexible hoses
Model: 31122XX4
(where the digits "XX" denote the code of colour)
Body Markings: 
Expiry Date: 11 September 2022



This Authority hereby permits the use of the above fitting in fresh water plumbing systems subject to full adherence to Waterworks installation requirements. In particular, you are required to draw your customers' attention to the following requirement-

"The cold water supply to the fitting shall be drawn from the same source that supplies the hot water apparatus so as to provide a balanced pressure and to obviate the risk of scalding in the event of a restriction or failure in the water supply."

A condition of this acceptance is that the fitting to be installed shall be replicas of the sample as certified by the testing agent mentioned above and without modifications. This acceptance may be withdrawn at any time if the standard of the fitting installed fails to meet that of the approved sample or if the fitting is found to be unsuitable for use in fresh water plumbing systems.

This acceptance is only applicable to the main body of the fitting, unless otherwise specified.

For the use of the fitting in any project, the General Acceptance Number of this letter must be quoted as a means of identification of acceptance of the fitting by this Authority.

Should you have any enquiries, please contact our Engineer Mr. Terry KUNG at tel. no. 3583 4086.

Yours faithfully,



(Roger WONG)

for Director of Water Supplies

Encl.

c.c. WSD 3321/1/82] - without catalogue
 ME/MC] - with soft copy only